

BIG RED[®]

COMMERCIAL DUTY SAFE LOCKS

A Division of Michael J. Walsh & Associates, Inc. USA



"BIG RED, THE SAFE-LOCKS WITH THE RED-WHEELS"[®]

www.bigredsafelocks.com

(877) 423-8073

BIG RED[®] SAFE LOCKS

"BIG RED, THE SAFE-LOCKS WITH THE RED-WHEELS"[®]



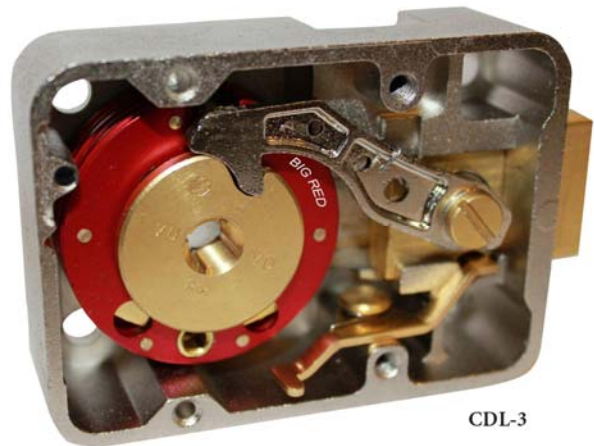
Commercial Duty Model CDL-3 & CDL-4

THE NEW STANDARD in 3-Wheel and 4-wheel, Group 2 Mechanical Safe Locks!

Our Commercial Duty Series locks are designed to outperform any other Group 2 Lock in the most demanding applications and provide a higher level of security at a competitive price!

FEATURES

1. Underwriters Laboratories Listed Group 2 Mechanical Combination Lock.
2. Exclusive Brass and RED Aluminum Wheels with Patented DeadLoc Technology[®] Provide 1,000,000 Theoretical Combinations on 3-wheel lock and 10,000,000 on 4-wheel lock.
3. Each Individual Wheel Unit includes Two [2] independent Brass Locking Lever Arms with Patented DeadLoc Technology[®] that provides Unmatched Torque Resistance and Eliminates Combination Wheel Slippage.
4. Heavier Lock Body Construction than Sargent and Greenleaf[®] to provide Superior Strength and Durability.
5. Designed with a Longer Brass Locking Bolt—Standard, allowing more of the Lock Bolt to be maintained inside the Lock Case when the Lock Bolt is in the Locked Position.
6. Increased Locking Bolt Case Guide Surface Provides a Smoother Operation and Lock Bolt Stability.
7. Internal Relocker Trigger Secures the Lock Bolt in the event of a Burglar's Punch Attack.
8. Exclusive Change Key Cover Boss Accepts a Sargent and Greenleaf[®] standard 3-wheel or 4-wheel change key and is designed to perfectly maintain the change key alignment during the combination changing procedure.
9. 4-Way Drive Cam for mounting Right-Hand, Left-Hand, Vertical-Up or Vertical-Down.
10. Stainless Steel Spline Key.
11. The Lock Profile Conforms to the Industry's Universal Footprint for ease of mounting for Retrofits and New Installations alike.
12. Exclusive Recessed Change key Boss Area on outside of cover allows use of optional Tamper-Plug.
13. Available in a wide range of Dial and Ring Designs in attractive finishes and functions, and will accept the Sargent and Greenleaf[®] Standard Dial and Ring Sets.
14. Mounting Hardware Kit includes; [2] short, [2] medium and [2] long case Mounting Screws, [2] Dial Ring Mounting Screws, [2] Spline Keys, [1] Change Key and [1] Set of Lock Operating Instructions.



OPTIONS

- Custom Length Brass Locking Bolts
- Thermal Relocker
- Change Key Cover Hole Tamper-Plug
- Variety of Spy-Guard and Front Reading Dial and Ring Designs in attractive finishes and functions.



BIG RED® SAFE LOCKS

"BIG RED, THE SAFE-LOCKS WITH THE RED-WHEELS"®



Commercial Duty

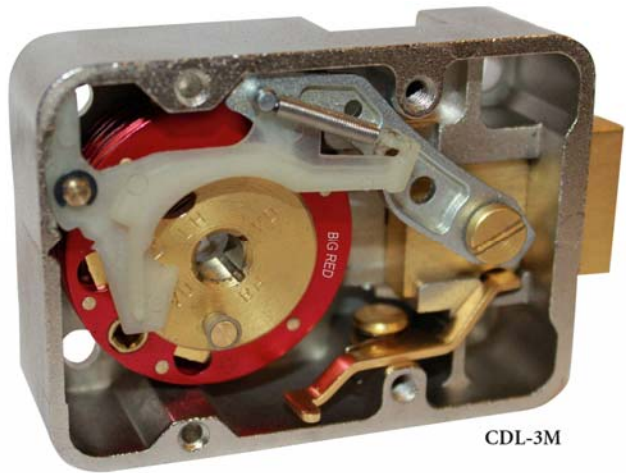
Model CDL-3M & CDL-4M

THE NEW STANDARD in 3-Wheel Group 2M and 4-wheel Group 2M, Manipulation resistance Mechanical High Security Safe Locks!

Our Commercial Duty Series locks are designed to outperform any other Group 2M lock in the most demanding applications and provide a higher level of security at a competitive price!

FEATURES

1. Underwriters Laboratories Listed 3-wheel Group 2M and 4-wheel Group 2M Mechanical Combination High Security Lock; 2-Man Hours of Expert Manipulation Resistance.
2. Exclusive Three [3] Brass and RED Aluminum Wheels with our exclusive patented DeadLoc Technology® Provide 1,000,000 Theoretical Combinations.
3. Exclusive Soft Touch® Lever Control Trigger System made from durable DuPont™ ZYTEL® 70G30L for long cycle life and designed to prevent the Lever Nose from Touching/Bouncing on either side of the Drive Cam Drop-in Zone.
4. Each Individual Wheel Unit includes Two [2] Independent Brass Locking Lever Arms with Patented DeadLoc Technology® that provides Unmatched Torque Resistance and Eliminates Combination Wheel Slippage.
5. Heavier Lock Body Construction than Sargent and Greenleaf® to provide Superior Strength and Durability.
6. Designed with a Longer Brass Locking Bolt—Standard, allowing more of the Lock Bolt to be maintained inside the Lock Case when the Lock Bolt is in the Locked Position.
7. Increased Locking Bolt Case Guide Surface Provides a Smoother Operation and Lock Bolt Stability.
8. Internal Relocker Trigger Secures the Lock Bolt in the event of a Burglar's Punch Attack.
9. Exclusive Change Key Cover Boss Accepts a Sargent and Greenleaf® standard 3-wheel or 4-wheel change key and is designed to perfectly maintain the change key alignment during the combination changing procedure.
10. 4-Way Drive Cam for mounting Right-Hand, Left-Hand, Vertical-Up or Vertical-Down.
11. Stainless Steel Spline Key.
12. The Lock Profile Conforms to the Industry's Universal Footprint for ease of mounting for Retrofits and New Installations alike.
13. Exclusive Recessed Change key Boss Area on outside of cover allows use of optional Tamper-Plug.
14. Available in a wide range of Dial and Ring Designs in attractive finishes and functions, and will accept the Sargent and Greenleaf® Standard Dial and Ring Sets.
15. Mounting Hardware Kit includes; [2] short, [2] medium and [2] long Case Mounting Screws, [2] Dial Ring Mounting Screws, [2] Spline Keys, [1] Change Key and [1] Set of Lock Operating Instructions.



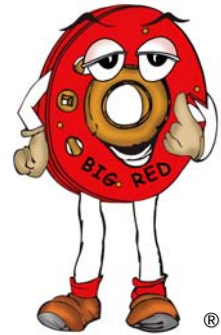
OPTIONS

- Custom Length Brass Locking Bolts
- Thermal Relocker
- Change Key Cover Hole Tamper-Plug
- Variety of Spy-Guard and Front Reading Dial and Ring Designs in attractive finishes and functions.



BIG RED® SAFE LOCKS

"BIG RED, THE SAFE-LOCKS WITH THE RED-WHEELS"®



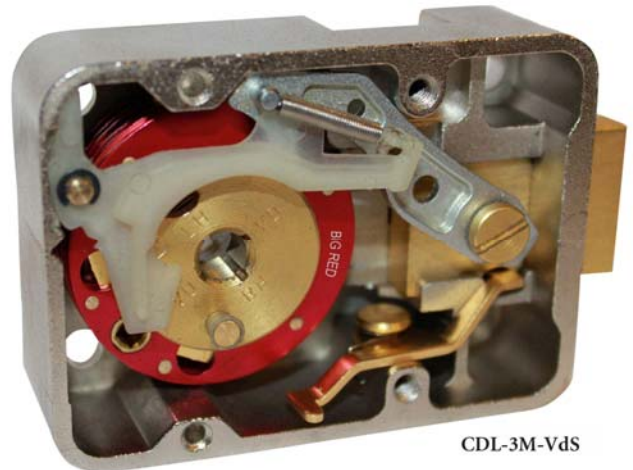
Commercial Duty European VdS Certified

Our NEW European Certified 3-Wheel, CDL-3M-VdS Manipulation Resistance Mechanical High Security Safe Lock is Certified VdS, Class 2 / EN 1300, Class 2, and is THE NEW STANDARD.

This Commercial Duty Series locks are designed to outperform any other VdS lock in the most demanding applications and provide a higher level of security at a competitive price!

FEATURES

1. European VdS Certified, 3-wheel, Class 2 / EN 1300, Class B Mechanical Combination High Security Safe Lock with Manipulation Resistance.
2. Exclusive Three [3] Brass and RED Aluminum Wheels with our exclusive patented DeadLoc Technology® Provide 1,000,000 Theoretical Combinations.
3. Exclusive Soft Touch® Lever Control Trigger System made from durable DuPont™ ZYTEL® 70G30L for long cycle life and designed to prevent the Lever Nose from Touching/Bouncing on either side of the Drive Cam Drop-in Zone.
4. Each Individual Wheel Unit includes Two [2] independent Brass Locking Lever Arms with Patented DeadLoc Technology® that provides Unmatched Torque Resistance and Eliminates Combination Wheel Slippage.
5. Heavier Lock Body Construction than Sargent and Greenleaf® to provide Superior Strength and Durability.
6. Designed with a Longer Brass Locking Bolt—Standard, allowing more of the Lock Bolt to be maintained inside the Lock Case when the Lock Bolt is in the Locked Position.
7. Increased Locking Bolt Case Guide Surface Provides a Smoother Operation and Lock Bolt Stability.
8. Internal Relocker Trigger Secures the Lock Bolt in the event of a Burglar's Punch Attack.
9. Exclusive Change Key Cover Boss Accepts a Sargent and Greenleaf® standard 3-wheel or 4-wheel change key and is designed to perfectly maintain the change key alignment during the combination changing procedure.
10. 4-Way Drive Cam for mounting Right-Hand, Left-Hand, Vertical-Up or Vertical-Down.
11. Stainless Steel Spline Key.
12. The Lock Profile Conforms to the Industry's Universal Footprint for ease of mounting for Retrofits and New Installations alike.
13. Exclusive Recessed Change key Boss Area on outside of cover allows use of optional Tamper-Plug.
14. Available in a wide range of Dial and Ring Bolt Designs in attractive finishes and functions, and will accept the Sargent and Greenleaf® Standard Dial and Ring Sets.
15. Mounting Hardware Kit includes; [2] short, [2] medium and [2] long Case Mounting Screws, [2] Dial Ring Mounting Screws, [2] Spline Keys, [1] Change Key and [1] Set of Lock Operating Instructions.



CDL-3M-VdS

OPTIONS

- Custom Length Brass Locking Bolts
- Thermal Relocker
- Change Key Cover Hole Tamper-Plug
- Variety of Spy-Guard and Front Reading Dial and Ring Designs in attractive finishes and functions.



BIG RED® SAFE LOCKS

"BIG RED, THE SAFE-LOCKS WITH THE RED-WHEELS"®



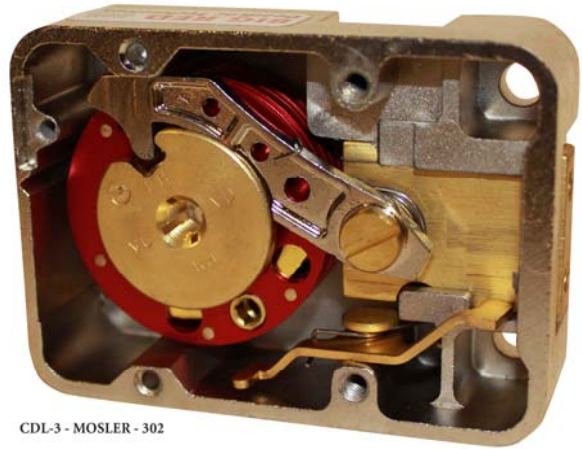
Commercial Duty

Mosler 302 and 402 Replacement Locks

Big Red® teamed up with the top safe techs in the industry to develop a commercial duty replacement lock for the Mosler 302 and 402 locks which are no longer produced. These replacement kits are designed to retro fit the current Mosler applications in the field.

Features:

- Big Red® Mosler 302 and 402 safe lock are UL Group 2 Listed.
- The Big Red® Mosler replacement locks maintain original UL Safe Listing.
- Only safe lock with double locking brass wheel levers and inner brass wheels featuring our exclusive patented DeadLoc Technology® to prevent combination number jumping.
- Heavy duty lock case reinforced for more punch resistance.
- Brass locking bolts, not Zinc.
- Lock comes with Flush Bolt installed, drilled and tapped to a depth of .375" [9.5mm] for two 10-32 machine screws.
- ¼-28 Brass drive cam, not Zinc.
- Lock case and lever nickel plated for corrosion resistance in harsh environments and longer cycle life.
- Endurance tested.
- Available in both front read and spy-guard dials.
- Available in 6", 9" and 14" spindle lengths.
- Optional Spindle Threaded Bushing are available in 7/16" long and 1" long.
- Dial rings factory modified to mount directly to Mosler safe doors with NO MODIFICATION.
- Our signature trademarked red anodized aluminum wheels assures you it's a Big Red®.



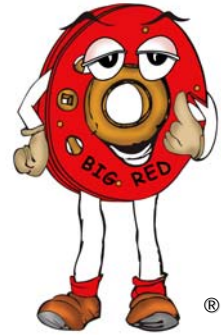
CDL-3 - MOSLER - 302



Kits Include: Lock with flush bolt installed, 2" and 3" locking bolts, extra lever screw, key locking cylinder, key locking dial insert, [2] spline keys, change key, mounting screws and operation instructions.

BIG RED® SAFE LOCKS

“BIG RED, THE SAFE-LOCKS WITH THE RED-WHEELS”®



Dials & Rings

For Group 2 and Group 2M Locks

D7000 SERIES – RUBBER GRIP– FRONT READ



- All dial and rings pictured above and listed below can be used with any Group 2 or Group 2M Lock Models listed below in the chart.
- All dial and rings listed below can be mixed to create different color finish combinations.
- All dials and rings on this page are made from die casted zinc material.
- Optional Black Plastic Ring. Order R7000
- All dials on this page incorporate a black textured rubber finger grip.
- The Dial with Ring; sits approximately 1-3/8” [34.9mm] off the door with a 3-3/4” [95.25mm] O.D.
- All dials on this page incorporate a solid, machined brass spindle with a standard spindle length of approximately 4-3/16” [106.4 mm] from the underside of the dial ring. Dials with longer spindles are available as a special order item.
- All dials on this page incorporate spindles splined to 41 on the dial. This results in a forbidden zone of 90 to 10. Special Order dials with spindles splined to 50 on the dial will result in a forbidden zone of 0 to 20.
- Finishes, spindle lengths, and spindle splining locations other than those listed can be special ordered.

DIAL	RING	FINISH	DESCRIPTION	USE WITH LOCK MODEL
D7011	R7011	Polished Chrome	Front Read, Non-Key Locking, Spindle Splined to 41	CDL-3, CDL-4, CDL-3M, CDL-4M
D7012	R7012	Satin Chrome	Front Read, Non-Key Locking, Spindle Splined to 41	CDL-3, CDL-4, CDL-3M, CDL-4M
D7013	R7013	Polished Brass	Front Read, Non-Key Locking, Spindle Splined to 41	CDL-3, CDL-4, CDL-3M, CDL-4M
D7014	R7014	Black/White	Front Read, Non-Key Locking, Spindle Splined to 41	CDL-3, CDL-4, CDL-3M, CDL-4M
DIAL	RING	FINISH	DESCRIPTION	USE WITH LOCK MODEL
D7011K	R7011	Polished Chrome	Front Read, Key Locking, Spindle Splined to 41	CDL-3, CDL-4, CDL-3M, CDL-4M
D7012K	R7012	Satin Chrome	Front Read, Key Locking, Spindle Splined to 41	CDL-3, CDL-4, CDL-3M, CDL-4M
D7013K	R7013	Polished Brass	Front Read, Key Locking, Spindle Splined to 41	CDL-3, CDL-4, CDL-3M, CDL-4M
D7014K	R7014	Black/White	Front Read, Key Locking, Spindle Splined to 41	CDL-3, CDL-4, CDL-3M, CDL-4M

BIG RED® SAFE LOCKS

"BIG RED, THE SAFE-LOCKS WITH THE RED-WHEELS"®



Dials & Rings

For Group 2 and Group 2M Locks

D7100 SERIES – FRONT READ



- All dial and rings pictured above and listed below can be used with any Group 2 or Group 2M Lock Models listed below in the chart.
- All dial and rings listed below can be mixed to create different color finish combinations.
- All dials and rings on this page are made from die casted zinc material.
- Optional Black Plastic Ring. Order R7000
- The Dial with Ring; sits approximately 1-3/8" [34.9mm] off the door with a 3-3/4" [95.25mm] O.D.
- All dials on this page incorporate a solid, machined brass spindle with a standard spindle length of approximately 4-1/8" [104.8mm] from the underside of the dial ring. Dials with longer spindles are available as a special order item.
- All dials on this page incorporate spindles splined to 41 on the dial. This results in a forbidden zone of 90 to 10. Special Order dials with spindles splined to 50 on the dial will result in a forbidden zone of 0 to 20.
- Finishes, spindle lengths, and spindle splining locations other than those listed can be special ordered.

DIAL	RING	FINISH	DESCRIPTION	USE WITH LOCK MODEL
D7111	R7011	Polished Chrome	Front Read, Non-Key Locking, Spindle Splined to 41	CDL-3, CDL-4, CDL-3M, CDL-4M
D7112	R7012	Satin Chrome	Front Read, Non-Key Locking, Spindle Splined to 41	CDL-3, CDL-4, CDL-3M, CDL-4M
D7113	R7013	Polished Brass	Front Read, Non-Key Locking, Spindle Splined to 41	CDL-3, CDL-4, CDL-3M, CDL-4M
D7114	R7014	Black/White	Front Read, Non-Key Locking, Spindle Splined to 41	CDL-3, CDL-4, CDL-3M, CDL-4M
DIAL	RING	FINISH	DESCRIPTION	USE WITH LOCK MODEL
D7111K	R7011	Polished Chrome	Front Read, Key Locking, Spindle Splined to 41	CDL-3, CDL-4, CDL-3M, CDL-4M
D7112K	R7012	Satin Chrome	Front Read, Key Locking, Spindle Splined to 41	CDL-3, CDL-4, CDL-3M, CDL-4M
D7113K	R7013	Polished Brass	Front Read, Key Locking, Spindle Splined to 41	CDL-3, CDL-4, CDL-3M, CDL-4M
D7114K	R7014	Black/White	Front Read, Key Locking, Spindle Splined to 41	CDL-3, CDL-4, CDL-3M, CDL-4M

BIG RED® SAFE LOCKS

“BIG RED, THE SAFE-LOCKS WITH THE RED-WHEELS”®



Dials & Rings

For Group 2 and Group 2M Locks

D6000 SERIES – RUBBER GRIP – SPY-GUARD



- All dial and rings pictured above and listed below can be used with any Group 2 or Group 2M Lock Models listed below in the chart.
- All dial and rings listed below can be mixed to create different color finish combinations.
- All dials and rings on this page are made from die casted zinc material.
- Optional Black Plastic Ring. Order R6000
- The Dial with Ring; sits approximately 1-3/8” [34.9mm] off the door with a 3-3/4” [95.25mm] O.D.
- All dials on this page incorporate a black textured rubber finger grip.
- All dials on this page incorporate a solid, machined brass spindle with a standard spindle length of approximately 4-1/8” [104.8mm] from the underside of the dial ring. Dials with longer spindles are available as a special order item.
- All dials on this page incorporate spindles splined to 41 on the dial. This results in a forbidden zone of 90 to 10. Special Order dials with spindles splined to 50 on the dial will result in a forbidden zone of 0 to 20.
- Finishes, spindle lengths, and spindle splining locations other than those listed can be special ordered.

DIAL	RING	FINISH	DESCRIPTION	USE WITH LOCK MODEL
D6011	R6011	Polished Chrome	Spy-Guard, Non-Key Locking, Spindle Splined to 41	CDL-3, CDL-4, CDL-3M, CDL-4M
D6012	R6012	Satin Chrome	Spy-Guard, Non-Key Locking, Spindle Splined to 41	CDL-3, CDL-4, CDL-3M, CDL-4M
D6013	R6013	Polished Brass	Spy-Guard, Non-Key Locking, Spindle Splined to 41	CDL-3, CDL-4, CDL-3M, CDL-4M
D6014	R6014	Black/White	Spy-Guard, Non-Key Locking, Spindle Splined to 41	CDL-3, CDL-4, CDL-3M, CDL-4M
DIAL	RING	FINISH	DESCRIPTION	USE WITH LOCK MODEL
D6011K	R6011	Polished Chrome	Spy-Guard, Key Locking, Spindle Splined to 41	CDL-3, CDL-4, CDL-3M, CDL-4M
D6012K	R6012	Satin Chrome	Spy-Guard, Key Locking, Spindle Splined to 41	CDL-3, CDL-4, CDL-3M, CDL-4M
D6013K	R6013	Polished Brass	Spy-Guard, Key Locking, Spindle Splined to 41	CDL-3, CDL-4, CDL-3M, CDL-4M
D6014K	R6014	Black/White	Spy-Guard, Key Locking, Spindle Splined to 41	CDL-3, CDL-4, CDL-3M, CDL-4M

BIG RED[®] SAFE LOCKS

"BIG RED, THE SAFE-LOCKS WITH THE RED-WHEELS"[®]



Dials & Rings

For Group 2 and Group 2M Locks

D6100 SERIES – SPY-GUARD



- All dial and rings pictured above and listed below can be used with any Group 2 or Group 2M Lock Models listed below in the chart.
- All dial and rings listed below can be mixed to create different color finish combinations.
- All dials and rings on this page are made from die casted zinc material.
- Optional Black Plastic Ring. Order R6000
- The Dial with Ring; sits approximately 1-3/8" [34.9mm] off the door with a 3-3/4" [95.25mm] O.D.
- All dials on this page incorporate a solid, machined brass spindle with a standard spindle length of approximately 4-1/8" [104.8mm] from the underside of the dial ring. Dials with longer spindles are available as a special order item.
- All dials on this page incorporate spindles splined to 41 on the dial. This results in a forbidden zone of 90 to 10. Special Order dials with spindles splined to 50 on the dial will result in a forbidden zone of 0 to 20.
- Finishes, spindle lengths, and spindle splining locations other than those listed can be special ordered.

DIAL	RING	FINISH	DESCRIPTION	USE WITH LOCK MODEL
D6111	R6011	Polished Chrome	Spy-Guard, Non-Key Locking, Spindle Splined to 41	CDL-3, CDL-4, CDL-3M, CDL-4M
D6112	R6012	Satin Chrome	Spy-Guard, Non-Key Locking, Spindle Splined to 41	CDL-3, CDL-4, CDL-3M, CDL-4M
D6113	R6013	Polished Brass	Spy-Guard, Non-Key Locking, Spindle Splined to 41	CDL-3, CDL-4, CDL-3M, CDL-4M
D6114	R6014	Black/White	Spy-Guard, Non-Key Locking, Spindle Splined to 41	CDL-3, CDL-4, CDL-3M, CDL-4M
DIAL	RING	FINISH	DESCRIPTION	USE WITH LOCK MODEL
D6111K	R6011	Polished Chrome	Spy-Guard, Key Locking, Spindle Splined to 41	CDL-3, CDL-4, CDL-3M, CDL-4M
D6112K	R6012	Satin Chrome	Spy-Guard, Key Locking, Spindle Splined to 41	CDL-3, CDL-4, CDL-3M, CDL-4M
D6113K	R6013	Polished Brass	Spy-Guard, Key Locking, Spindle Splined to 41	CDL-3, CDL-4, CDL-3M, CDL-4M
D6114K	R6014	Black/White	Spy-Guard, Key Locking, Spindle Splined to 41	CDL-3, CDL-4, CDL-3M, CDL-4M

BIG RED[®] SAFE LOCKS

"BIG RED, THE SAFE-LOCKS WITH THE RED-WHEELS"[™]



Dials & Rings

For Group 2 and Group 2M Locks



SMALL DIAMETER

- All dial and rings pictured above and listed below can be used with any Group 2 or Group 2M Lock Models listed below in the chart.
- All dial and rings listed below can be mixed to create different color finish combinations.
- All dials on this page are made from die casted zinc material.
- All rings for the small diameter dials are made from durable plastic in black color.
- The Dial with Ring; sits approximately 1-1/8" [28.6mm] off the door with a 3" [76.2mm] O.D. plastic ring.
- All Small Diameter Dials incorporate a solid, machined brass spindle with a standard spindle length of approximately 4-7/16" [112.9mm] from the underside of the dial ring. Dials with longer spindles are available as a special order item.
- All Small Diameter Dials incorporate spindles splined to 41 on the dial. This results in a forbidden zone of 90 to 10. Special Order dials with spindles splined to 50 on the dial will result in a forbidden zone of 0 to 20.
- Finishes, spindle lengths, and spindle splining locations other than those listed can be special ordered.

DIAL	RING	FINISH	DESCRIPTION	USE WITH LOCK MODEL
D7212	R7100	Satin Chrome	Front Read, Non-Key Locking, Spindle Splined to 41	CDL-3, CDL-4, CDL-3M, CDL-4M
D7214	R7100	Black/White	Front Read, Non-Key Locking, Spindle Splined to 41	CDL-3, CDL-4, CDL-3M, CDL-4M

LOW PROFILE

- All dial and rings pictured above and listed below can be used with any Group 2 or Group 2M Lock Models listed below in the chart.
- All dial and rings listed below can be mixed to create different color finish combinations.
- All dials and rings on this page are made from die casted zinc material.
- Optional Black Plastic Ring. Order R7000
- The Dial with Ring; sits approximately 0.850" [21.6mm] off the door.
- All Low Profile Dials incorporate a solid, machined brass spindle with a standard spindle length of approximately 4-11/16" [119.7mm] from the underside of the dial ring. Dials with longer spindles are available as a special order item.
- All Low Profile Dials incorporate spindles splined to 41 on the dial. This results in a forbidden zone of 90 to 10. Special Order dials with spindles splined to 50 on the dial will result in a forbidden zone of 0 to 20.
- Finishes, spindle lengths, and spindle splining locations other than those listed can be special ordered.



DIAL	RING	FINISH	DESCRIPTION	USE WITH LOCK MODEL
D7311	R7011	Polished Chrome	Front Read, Non-Key Locking, Spindle Splined to 41	CDL-3, CDL-4, CDL-3M, CDL-4M
D7312	R7012	Satin Chrome	Front Read, Non-Key Locking, Spindle Splined to 41	CDL-3, CDL-4, CDL-3M, CDL-4M
D7314	R7014	Black/White	Front Read, Non-Key Locking, Spindle Splined to 41	CDL-3, CDL-4, CDL-3M, CDL-4M

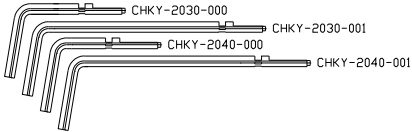
BIG RED® SAFE LOCKS

"BIG RED, THE SAFE-LOCKS WITH THE RED-WHEELS"®



Parts and Accessories

For Mechanical Safe Locks

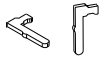


Change Keys

- CHKY-CDL3-000** - Regular Change Key for all standard size locks with [3] three wheels.
- CHKY-CDL3-001** - Long Handle Change Key for all standard size locks with [3] three wheels.
- CHKY-CDL4-000** - Regular Change Key for all standard size locks with [4] four wheels.
- CHKY-CDL4-001** - Long Handle Change Key for all standard size locks with [4] four wheels.

Lock Bolts – Fits all CDL-3, CDL-3M, CDL-4 and CDL-4M lock models.

- CL-017-000** – Standard Brass Bolt – Extends 0.490" [12.45mm] from end of lock case when locked, 0.134" [3.41mm] from case when unlocked.
- CL-017-001** – Extra Long Brass Bolt – Extends 2.461" [62.5mm] from end of lock case when locked, 2.105" [53.5mm] from case when unlocked.
- CL-017-002** – Long Brass Bolt – Extends 0.961" [24.4mm] from end of lock case when locked, 0.605" [15.4mm] from case when unlocked.
- CL-017-003** – Short Tapped Brass Bolt – Extends 0.352" [8.9mm] from end of lock case when locked, 0.134" [3.41mm] from case when unlocked. Bolt is drilled and tapped to a depth of .375" [9.5mm] for two 10-32 machine screws.
- CL-017-004M** – Metric Tapped Brass Bolt – Extends 0.490" [12.45mm] from end of lock case when locked, 0.134" [3.41mm] from case when unlocked. Retracts flush to lock case when unlocked. Bolt is drilled and tapped to a depth of 10mm for two 4mm-7 pitch machine screws.



Spline Keys – Should be replaced with new whenever removed.

SPY-001 – Spline Key, Stainless Steel



Dial Ring Bushing

DRB-000 - The Nylon bushing inserts into the front of ALL dial rings to provide a bearing surface for the dial as it rotates within the ring.



Dial Key Cylinder – Fits standard Front Read and Spy-Guard™ dials.

DLCYL-001 – Five brass disc tumbler cylinder with [2] brass keys for converting non-key locking dials to key locking function. Uses a standard Y11/01122 keyway and when the cylinder is pushed into the dial, a spring loaded brass retainer snaps into position to hold the cylinder in place.



Dial Inserts – Epoxy fill, Gloss Black – No Logo

- BLACK-FR-001** – Non-Key Locking – Front Read Dial
- BLACK-FRLK001** – Key Locking – Front Read Dial
- BLACK-SG-001** – Non-Key Locking – Spy-Guard
- BLACK-SGLK-001** – Key Locking – Spy-Guard



Dial Inserts – Epoxy fill, Big Red Logo

- Big Red®-FR-001** – Non-Key Locking – Front Read Dial
- Big Red®-FRLK001** – Key Locking – Front Read Dial
- Big Red®-SG-001** – Non-Key Locking – Spy-Guard
- Big Red®-SGLK-001** – Key Locking – Spy-Guard



Spindle Extension Kits – Used to add spindle length for thick safe or vault doors. Make sure the existing spindle hole in door is large enough to accommodate the kit's connecting collar. Spindle, extension collar, and spline keys are included in the kit.

- Spindle-Ext-Kit-001** – For standard locks, 5/16"-40 x 6" [152.4mm] kit with .450" [11.4mm] diameter collar. *Generic for Sargent & Greenleaf® 7312-003.*
- Spindle-Ext-Kit-201** – For Sargent & Greenleaf® vault locks, 3/8"-30 x 7" [177.8mm] kit with .510" [13mm] diameter collar. *Generic for Sargent & Greenleaf® 7312-005.*

Mounting Hardware Kit

LKMTHW- KIT – Kit includes [2] short ¼"-20 machine, [4] long ¼"-20 machine, [2] 8-32 machine, [2] stainless steel spline keys.

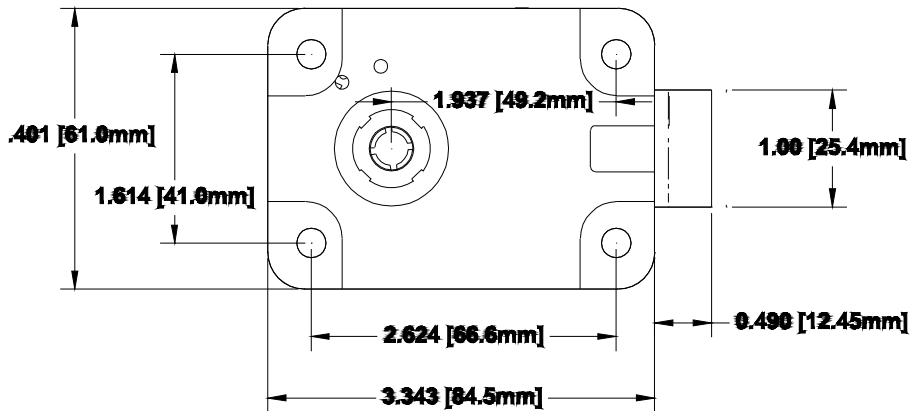
BIG RED[®] SAFE LOCKS

"BIG RED, THE SAFE-LOCKS WITH THE RED-WHEELS"[®]

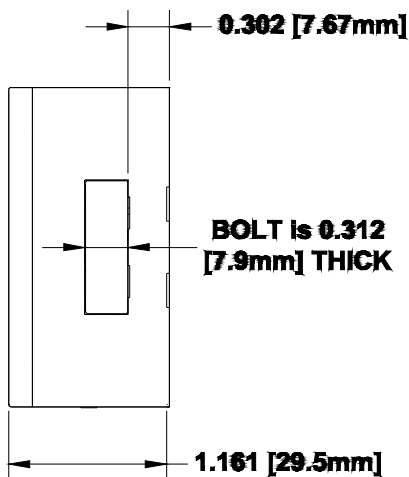


Dimensions – Standard Size

For Mechanical Lock Case and Lock Bolts

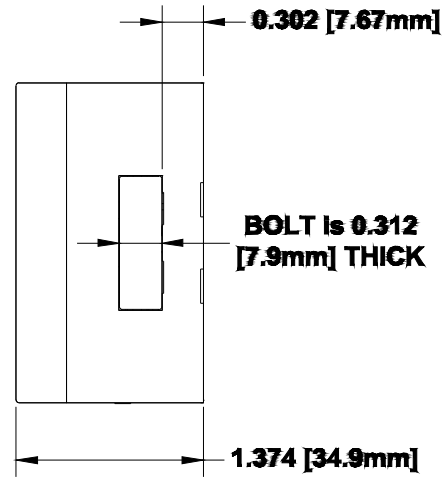


THE DIMENSIONS LISTED ABOVE ARE VALID FOR ALL 2030, 2030M, 2040 AND 2040M SERIES LOCKS.



2030
- 3 WHEEL LOCKS

and 2030M



2040 and 2040M SERIES - 4 WHEEL LOCKS

SERIES

BIG RED[®] SAFE LOCKS

"BIG RED, THE SAFE-LOCKS WITH THE RED-WHEELS"[®]

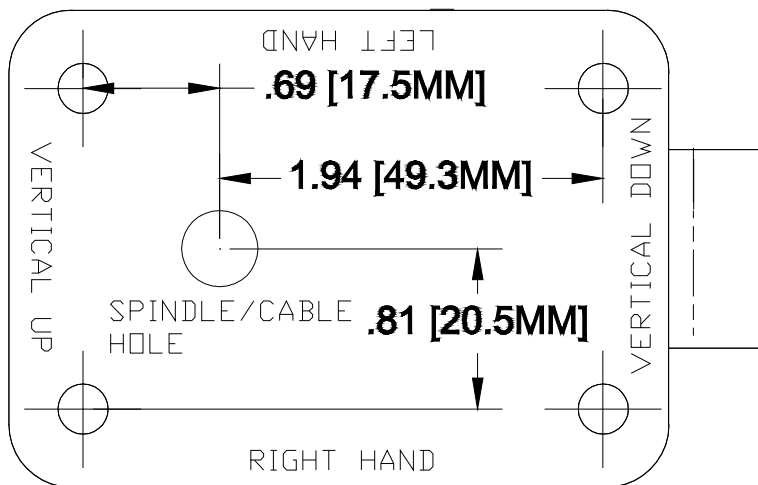


Dimensions – Standard Size

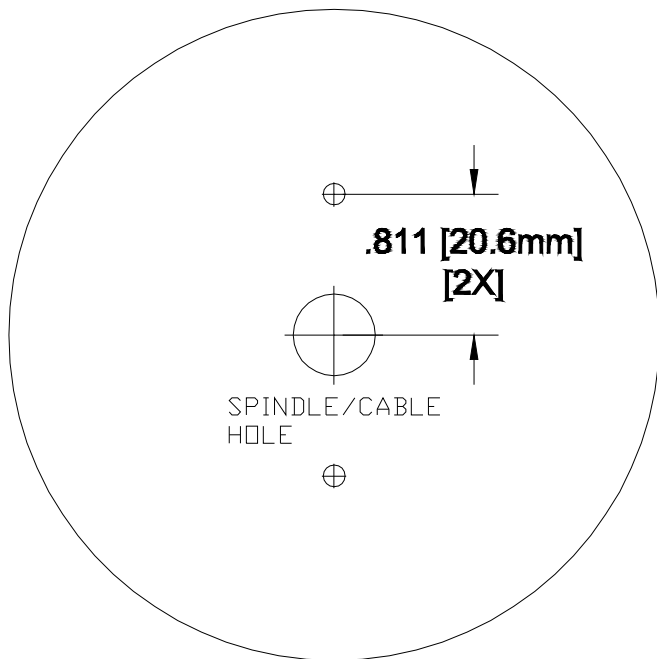
For Mechanical Lock and Dial Ring Mounting Template

ENGLISH: [4] 1/4-20
METRIC: [4] M6X1
DRILL AND TAP TO
3/8" or 9.5mm DEPTH
(MIN. 1/4" or 6.4mm)

SPINDLE/CABLE HOLE
DRILL AND DEBURR:
.406 (10.32mm) MIN.
.406 (10.32mm) RECOMMENDED
.438 (11.11mm) MAX



LOCK CASE MOUNTING TEMPLATE – NOT TO SCALE



ENGLISH: [2] 8/32
METRIC: [2] M4-0.7
DRILL AND TAP TO
3/8" or 9.5mm DEPTH
(MIN. 1/4" or 6.4mm)

DIAL RING/FRONT HOUSING BASE MOUNTING TEMPLATE – NOT TO SCALE

Technical and information regarding certifications in this publication are accurate to the best of our ability at the time of publication. Michael J. Walsh & Associates, Inc. and LockOne™ International Inc. , and Lock1One™ does not, however, warrant the accuracy of such information and assumes no responsibility for the application of such information published in this catalog.

Terms and Conditions of Sale

Michael J. Walsh & Associates, Inc. and their factories products are sold throughout the world and we are continuing to expand our distribution network. For the latest product information, pricing and list of distributors, please visit our website on the worldwide web:

www.bigredsafelocks.com

TERMS and CONDITIONS

All sales will be subject to the terms and conditions set forth herein, and any terms and conditions contained in any orders contrary to these terms and conditions will be null and void. Michael J. Walsh & Associates, Inc., also known as BIG RED™SAFE LOCKS, a Division of Michael J. Walsh & Associates, Inc. USA and LockOne™ International Inc. reserves the right to immediately and without further notice discontinue the selling of products to any customer that does not fully comply with these terms and conditions. Customer may not assign any rights or obligations without prior written consent of Michael J. Walsh & Associates, Inc. and LockOne™ International Inc.

TRADEMARKS

The following trademarks are the property of Michael J. Walsh and Associates, Inc., USA and ALL rights are reserved. "The Safe Lock With The Red Tumblers"®, "Big Red, The Safe-Locks With The Red-Wheels"®, BIG RED@SAFE LOCKS, BIG RED SAFE LOCKS®, Soft Touch®, DeadLoc Technology®, LockOne™ is a trademark of LockOne™ International Inc. and ALL rights are reserved. Sargent and Greenleaf® is a registered trademark of Sargent and Greenleaf®.

PRODUCTS and PRICES

All prices of the products are set forth in the List Price Book. Michael J. Walsh & Associates, Inc. and LockOne™ International Inc. reserve the right to amend such prices from time to time, and to discontinue the production of any product, or to change the design, function and finish thereof, without prior notice to the customer.

CREDIT ISSUES

Michael J. Walsh & Associates, Inc. and LockOne™ International Inc. retains a purchase money security interest in all goods, products and materials which have been or are hereafter acquired by customer with credit granted by Michael J. Walsh & Associates, Inc. and/or LockOne™ International Inc. ("Collateral"). Upon any default by customer, Michael J. Walsh & Associates, Inc. and/or LockOne™ International Inc. shall have the rights of a secured party under the Uniformed Commercial Code State of Oregon, as amended upon any default by customer. Michael J. Walsh & Associates, Inc. and/or LockOne™ International Inc. may require customer to assemble the Collateral at a place designated by Michael J. Walsh & Associates, Inc. and/or LockOne™ International Inc. Customer shall reimburse Michael J. Walsh & Associates, Inc. and LockOne™ International Inc. for all costs (including reasonable attorney's fees) incurred in collecting any amounts due to Michael J. Walsh & Associates, Inc. and/or LockOne™ International Inc. or executing its interest hereunder. In addition to any other right or remedy hereunder, Michael J. Walsh & Associates, Inc. and/or LockOne™ International Inc. shall have at all times the right to offset any obligation of customer to Michael J. Walsh & Associates, Inc. and/or LockOne™ International Inc. against any obligation of Michael J. Walsh & Associates, Inc. and/or LockOne™ International Inc. to customer. If in Michael J. Walsh & Associates, Inc. and/or LockOne™ International Inc. sole judgment any doubt arises at any time as to the ability of the customer to pay for the products, or if the customer at any time is past due in payment of any amount owing to Michael J. Walsh & Associates, Inc. and/or LockOne™ International Inc. , Michael J. Walsh & Associates, Inc. and/or LockOne™ International Inc. may (without liability and without prejudice to any remedies, and regardless of any schedule of shipment or payment to the contrary), delay production, postpone any shipment or stop any product in transit until Michael J. Walsh & Associates, Inc. and/or LockOne™ International Inc. shall have received payment in full of all amounts, whether or not then due, owing to it by the customer. In case of any such postponement, the price of the products affected shall be the price in effect on the date of final shipment. Payment terms are NET 30 days unless otherwise specified in writing. Any action or proceeding brought by customer of Michael J. Walsh & Associates, Inc. and/or LockOne™ International Inc. arising out of these terms shall be brought solely in a court of competent jurisdiction located in Klamath County, Oregon U.S.A.

WARRANTY

Customer shall forever indemnify, defend and hold harmless Michael J. Walsh & Associates, Inc. and LockOne™ International Inc. from and against any and all losses, damages, costs (including, without limitation, attorney fees and court costs), expenses, claims, liabilities, obligations and judgments related to the product or the sale or use thereof to the extent not covered by Michael J. Walsh & Associates, Inc. and LockOne™ International Inc. warranty, including without limitation, by reason of any unauthorized warranties or representations with respect thereto. The customer shall not repair, replace, modify or tamper with any product for warranty purposes unless the written consent of Michael J. Walsh & Associates, Inc. and/or LockOne™ International Inc. is first obtained.

Terms and Conditions of Sale

Continued

WARRANTY - continued

Wholesale/Locksmith

Seller warrants that for [1] year from the date of shipment from seller's point of manufacture, the goods shall be free from defects in material and workmanship. This warranty applies provided there is compliance with all installation/operating instructions supplied by Michael J. Walsh & Associates, Inc. and LockOne™ International Inc. and, provided further, that the product has been subject to normal use without any misuse, negligence, modification, or the occurrence of any accidental damage.

OEM Safe Manufacture

Seller warrants that for [3] years from the date of shipment from seller's point of manufacture, the goods shall be free from defects in material and workmanship. This warranty applies provided there is compliance with all installation/operating instructions supplied by Michael J. Walsh & Associates, Inc. and LockOne™ International Inc. and, provided further, that the product has been subject to normal use without any misuse, negligence, modification, or the occurrence of any accidental damage.

SELLERS ENTIRE LIABILITY AND BUYERS EXCLUSIVE REMEDY IN THE EVENT THAT THE PRODUCT(S) DO NOT CONFORM TO THE FOREGOING WARRANTY SHALL BE SELLER'S REPAIR OR REPLACEMENT OF THE PRODUCT(S) – (INCLUDING PAYMENT OF PRE-APPROVED FREIGHT COSTS TO AND FROM POINT OF MANUFACTURE).

THIS WARRANTY IS EXPRESSLY MADE IN LIEU OF ANY AND ALL OTHER WARRANTIES, EXPRESS OR IMPLIED. MICHAEL J. WALSH & ASSOCIATES, INC AND LOCKONE™ INTERNATIONAL, INC. DOES NOT WARRANT THAT THE GOODS ARE MERCHANTABLE OR FIT FOR ANY PARTICULAR PURPOSE EXCEPT AS EXPRESSLY PROVIDED HEREIN.

UNAUTHORIZED USE OF COMPONENTS NOT MANUFACTURED BY THE SELLER IN CONJUNCTION WITH SELLER'S PRODUCTS INVALIDATES THE WARRANTY. ANY MODIFICATIONS TO PRODUCTS NOT PERFORMED BY MICHAEL J. WALSH & ASSOCIATES, INC. AND LOCKONE™ INTERNATIONAL, INC. INVALIDATES THE WARRANTY. SELLER SHALL HAVE NO LIABILITY FOR CONSEQUENTIAL, INCIDENTAL, INDIRECT OR SPECIAL DAMAGES. SELLER DOES NOT WARRANT ITS LOCK PRODUCTS TO BE IMPERVIOUS TO FORCIBLE OR SURREPTITIOUS ENTRY, AND SELLER SHALL HAVE NO LIABILITY FOR DAMAGE TO OR LOSS OF PROPERTY SOUGHT TO BE PROTECTED BY ANY SUCH LOCK.

This warranty and remedies set forth above are exclusive and in lieu of all others, oral or written, expressed or implied. No dealer, distributor, agent or employee is authorized to make any modification or addition to this warranty.

Michael J. Walsh & Associates, Inc. and LockOne™ International Inc. EXPRESSLY DISCLAIMS ANY WARRANTY OF NON-INFRINGEMENT PROVIDED UNDER KRS 355.2.312, UCC §2-312, OR SIMILAR LAW, MICHAEL J. WALSH & ASSOCIATES, INC AND LOCKONE™ INTERNATIONAL, INC. SHALL NOT INDEMNIFY NOR BE RESPONSIBLE FOR ANY DAMAGES ARISING OUT OF A CLAIM THAT THIS PRODUCT INFRINGES ANY PATENT.

Some states do not allow the exclusion or limitation of implied warranties or limitation of liability for incidental or consequential damages, so the above limitation or exclusion may not apply to you.

TAXES

Any taxes, duties, levies or other charges now hereafter imposed directly or indirectly on Michael J. Walsh & Associates, Inc. and/or LockOne™ International Inc. or required to be collected directly or indirectly by Michael J. Walsh & Associates, Inc. and/or LockOne™ International Inc. by any taxing authority in connection with the sale, delivery, use or consumption of the products, including, without limitation, any sales, documentary, use, excise, purchase, turnover and import taxes, consular fees and customs duties shall be for the account of the customer, and the customer shall on demand forthwith pay to Michael J. Walsh & Associates, Inc. and/or LockOne™ International Inc. any such tax, levy or charge.

PROMOTION OF PRODUCTS

The customer shall sell and promote the products in a manner which will enhance the image and good will of Michael J. Walsh & Associates, Inc. and LockOne™ International Inc., its customer and the products. The use of Michael J. Walsh & Associates, Inc. and LockOne™ International Inc. trademarks and name is strictly prohibited without prior written consent of Michael J. Walsh & Associates, Inc. and LockOne™ International Inc.

Terms and Conditions of Sale

Continued

MINIMUM ORDERS

Minimum order amount per shipment is USD100.00 net.

ORDER ACKNOWLEDGEMENTS

All Michael J. Walsh & Associates, Inc. and LockOne™ International Inc. orders will be acknowledged in writing within [3] business days after receipt of all information pertinent to the order. It is the responsibility of the customer to check all acknowledgements in order to ascertain that they conform to their purchase order. All estimates of dates of delivery are made by Michael J. Walsh & Associates, Inc. and LockOne™ International Inc. in good faith, and are not guaranteed.

CANCELLATIONS/CHANGES

Requests for cancellations or changes must be received by Michael J. Walsh & Associates, Inc. and LockOne™ International Inc. within [5] business days of Order Acknowledgement Date. Michael J. Walsh & Associates, Inc. and LockOne™ International Inc. reserves the right to impose a re-stocking fee, as a percentage of the value of the merchandise, should a cancellation or change be made after production has begun.

CLAIMS

Claims for shortages or errors in packaging must be made to Michael J. Walsh & Associates, Inc. and LockOne™ International Inc. in writing within [10] business days after receipt of shipment.

RETURNED MERCHANDISE

Returns will not be accepted without prior written approval by Michael J. Walsh & Associates, Inc. and LockOne™ International Inc. and without a Returned Goods Authorization Number [RGA Number] issued by Michael J. Walsh & Associates, Inc. and LockOne™ International Inc. Customer Service Department. All returns are subject to a re-stocking charge. Purchaser must provide invoice number and information regarding original date of shipment with all returned goods.

SHIPMENTS

All products shall be shipped F.O.B. factory, freight collect and shall be deemed the property of the customer when accepted by the carrier. Unless otherwise agreed in writing, the choice of carrier shall be at Michael J. Walsh & Associates, Inc. and LockOne™ International Inc. sole discretion.

FORCE MAJEURE

Michael J. Walsh & Associates, Inc. and LockOne™ International Inc. shall be excused for any delay in performance hereunder and shall not be responsible for any loss or damage caused by acts of God; accident or casualty; war or warlike activities, insurrection or civil commotion; supply, labor, engineering, or transportation difficulties; acts of any government (with or without valid jurisdiction); strikes; blockades; boycotts, lockouts or any other cause, whether or not similar in nature to those specified herein, beyond Michael J. Walsh & Associates, Inc. and LockOne™ International Inc. control. The provision as regards to strikes, blockades, boycotts and lockouts shall apply irrespective of whether Michael J. Walsh & Associates, Inc. and LockOne™ International Inc. itself is the subject or instigator of such a measure. Performance by Michael J. Walsh & Associates, Inc. and LockOne™ International Inc. hereunder shall be suspended during the continuance of any such measure.